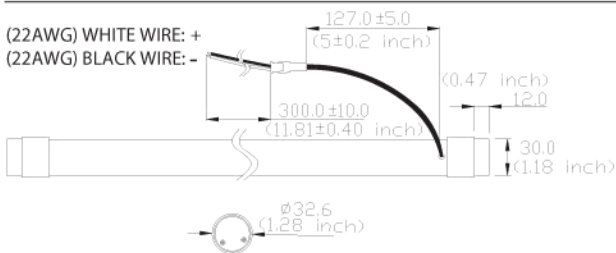


T8 DIFFUSED LIGHT TUBE

5ft., CCT=4000K, w/CONNECTOR

DIMENSIONS:



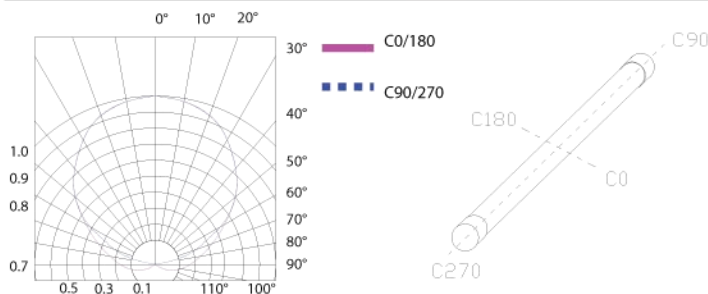
1. All dimensions are in millimeters (inches).
2. Tolerance is +/- 0.5 mm(0.02 inch) unless otherwise noted.

ABSOLUTE MAXIMUM RATINGS:

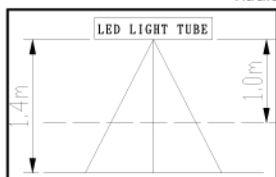
PARAMETER	SYMBOL	RATING	UNIT
OPERATING TEMPERATURE RANGE	TOPR.	-20 TO +40	°C
STORAGE TEMPERATURE RANGE	TSTG.	-30 TO +60	°C

ELECTRICAL AND OPTICAL CHARACTERISTICS: (Tc = 25 °C)

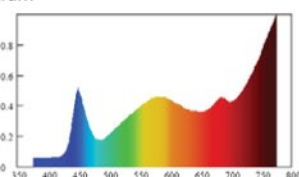
PART NO.	E1B5KLYC7-S2	E1B5KLYC7-S3	E1B5KLYC7-S4	E1B5KLYC7-S5
DIMENSION (MM/INCHES)	590MM/23.23"	895MM/35.24"	1198MM/47.17"	1500MM/59.06"
CCT (K)	4000			
VOLTAGE (VDC)	24			
ILLUMINANCE (TYP.) @ 1M DISTANCE (LUX)	190	280	330	330
ILLUMINANCE (TYP.) @ 1.4M DISTANCE (LUX)	100	170	190	190
LUMINOUS FLUX (TYP.) (LM)	500	750	1000	1250
POWER CONSUMPTION (TYP.) (W)	8.4	12.6	16.8	21.0
PC BOARD	AL CORE			



Radiation Diagram



LUX Measured Method



Spectral Distribution (nm) for 4000K

POWER ADAPTER FOR 60" T8 LIGHT TUBE:

Length*	Up to 12'	Up to 15'
Suggested Power Adapter	DC 24V/ 66W	DC 24V/ 90W
Power Adapter NO.	EP106624AJ-01	EP109024CM-01

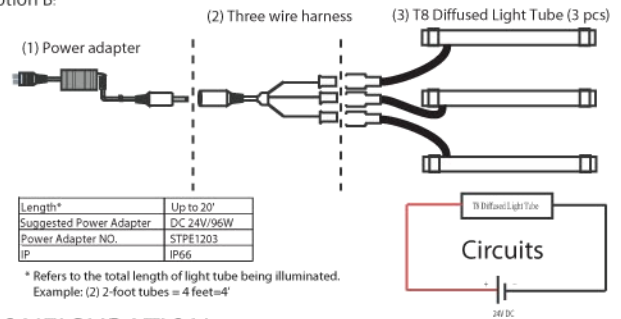
* Refers to the total length of light tube being illuminated.
Example: (2) 2-foot tubes = 4 feet=4'

CONFIGURATION:

Option A:

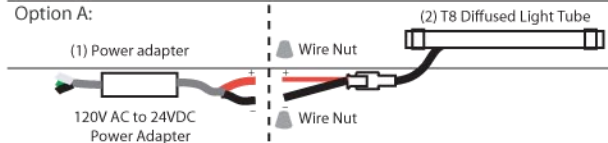


Option B:

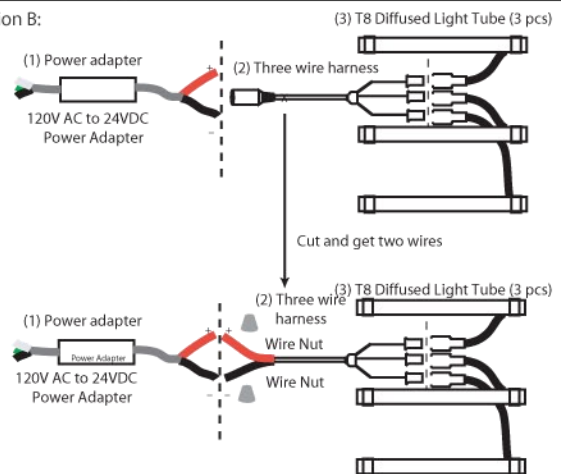


CONFIGURATION:

Option A:



Option B:



Lighting Technology That Pays For Itself

GloboLED
Solutions